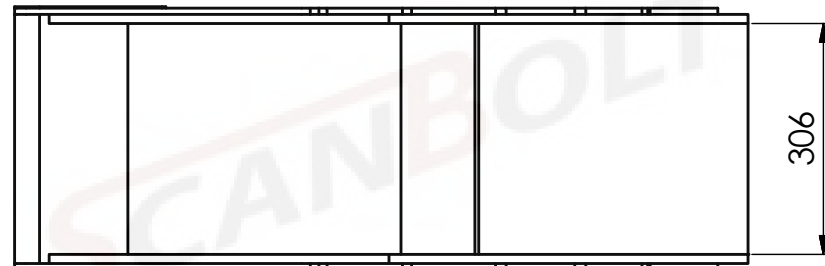
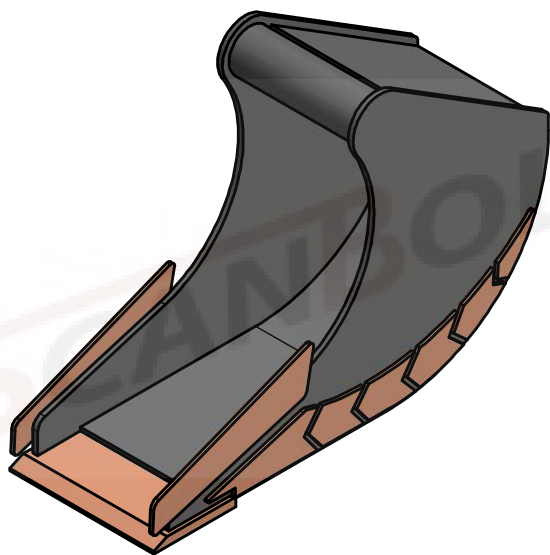


8 7 6 5 4 3 2 1

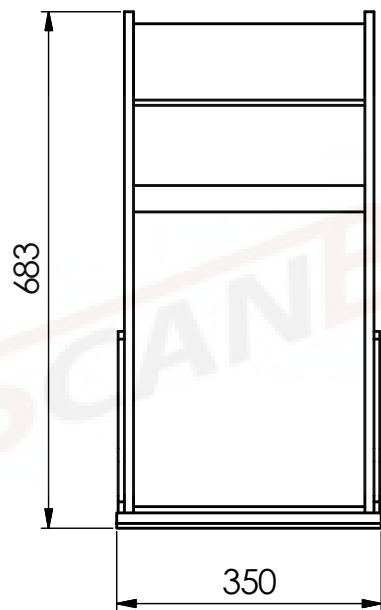
D

D



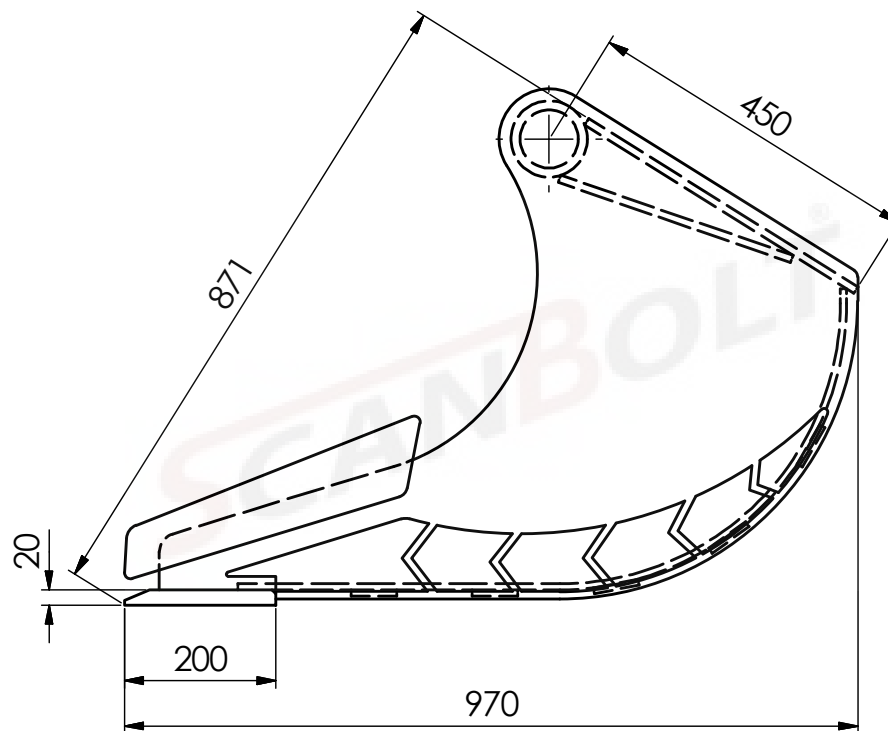
C

C



B

B



A

A

MATERIAL SPECIFICATION

ST52.3
EN8D
HB 400
HB 450
CASTALLOY STEEL

<b>SCANBOLT®</b>	
DESCRIPTION	35CM DIGGING BUCKET
MACHINE CLASS	7.5-10 TON
WEIGHT	132.3 Kg
HEAPED CAPACITY	117.3 LITERS

8 7 6 5 4 3 2 1